

Swan Systems

Sliding Wardrobe Doors

Made to measure, made to last and made for you



**BRITISH
PATENT
AWARD**



- **UNIQUE SLIDING WARDROBE DOORS**
- **BEAUTIFUL SELECTION OF FINISHES**
- **NO COLD ALUMINIUM OR STEEL FRAMES**

- **MADE TO MEASURE**
- **NEW SOFT CLOSE OPTION**
- **NEW HIGH GLOSS RANGE**

Swan Systems Sliding Wardrobe Doors

Create Maximum Storage Space

Why are Swan Systems Sliding Wardrobe Doors unique?

In 1998 we were awarded a British Patent for the technical originality of the Swan Systems door frame. Our product uses a combination of MDF profiles and aluminium extrusions to create a solid and rigid system. The product is available in 4mm to create mirrored or glass doors or 15mm or 18mm to create panelled doors. The product is wrapped in paper foil, high gloss or vinyl materials. We now have available a brilliant soft close unit designed just for Swan Systems Sliding Wardrobe Doors – automatically shutting the doors with a gentle push.

To you, the customer, this gives you a wide choice of colours and finishes for the frame of your wardrobe doors – mixed with a variety of door designs. Our unique difference is you could match the Swan Systems Sliding Wardrobe Doors with any new bedroom furniture your retailer may offer. Creating a harmonised bedroom, made to measure, made to last and made for you.

The colours and finishes in the Swan range evolve constantly, please ask to see the latest colour swatch book

The Contemporary Look



Swan Systems Sliding Doors in Swiss Pearwood installed next to matching bedroom furniture.

The Traditional Look



Bright White Swan Systems Sliding Wardrobe Doors above are installed next to a matching fitted bedroom for a more traditional design.

Creative Door Ideas

A full run of mirrored doors will reflect a lighter, more spacious room. There are lots of other door designs in the Swan Systems Sliding Wardrobe door range to allow you to unleash your creative side:

- Sculpted & Panel doors - flush panel doors or sculpted in various colours and designs
- Mirrored doors - silver, bronze, etched or frosted
- Coloured glass - various colours in plain or floral designs
- Oriental doors - on coloured glass, mirror or panel doors
- Modern design doors - a bespoke split door option
- High gloss frames - just launched and selling like hot cakes. The high gloss range from Swan is unique, ultra modern and very stylish.

The images in this brochure are examples of Swan Systems Sliding Wardrobe Doors, taken in our customers' houses to show you the creative possibilities.



Swan Systems Sliding Wardrobe Doors

Door Designs



Panel & Sculpted Door Designs
Available in a wide choice of door designs.



Diamond Cut Mirror Door Designs



Silver and bronze mirrors can be etched with beautiful designs.

Frosted Mirrors



Portholes, checker boards, waves, stripes, diagonal strips & more.

Oriental Door Design



This popular design brings a Far Eastern feel to the bedroom.

Modern Door Design



A bespoke split door option to create a modern design to suit your taste.

Coloured & Floral Glass



New!

High Gloss White
High Gloss Cappuccino
High Gloss Black
High Gloss Pearlised Walnut

Now available
please ask your retailer
to show you a sample

This new visually striking glass looks amazing when used to make a Swan Systems Sliding Door.

Swan Systems Sliding Wardrobe Doors

The Technical Stuff

Swan Systems recommend that our sliding doors are installed with a matching colour sub-frame and floor plinth. We level the floor plinth and apply the bottom cill by using industrial strength double sided tape, removing the need for unsightly screws.

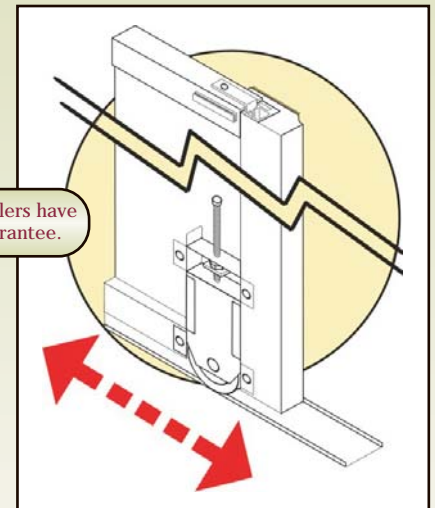


Interiors

A comprehensive range of interiors are made to suit your every need. Please talk to your Sales Designer about what storage you are looking to create.



Our bottom rollers have a 10 year guarantee.



Technical Information

- Our MDF profile comes wrapped in a choice of materials (high gloss, paper foil or PVC) and is stiffened with aluminium extrusion to house either 4mm British safety backed mirror or coloured glass, 15mm or 18mm for MDF or MFC panels.
- Our profile totally conceals the aluminium extrusion creating a solid and rigid system which is at home in the most elegant bedroom.
- No cold metal frames with a Swan Systems Sliding Wardrobe Door.
- The bottom rollers are closed, grease packed ball bearing rollers, fixed to the bottom of the door which enables the weight of the door to be carried along the bottom track. There is no weight suspended from your ceiling.
- Our track set is specifically designed for our product.
- Top track is available in white, which is then concealed with a matching cover trim.
- Bottom cill – a range of optional colours are available.
- Our new soft close unit is exclusively designed for the Swan Systems Sliding Wardrobe Door - automatically shutting the doors with a gentle push.

**YOUR LOCAL SWAN SYSTEMS SLIDING
WARDROBE DISTRIBUTOR IS:**

